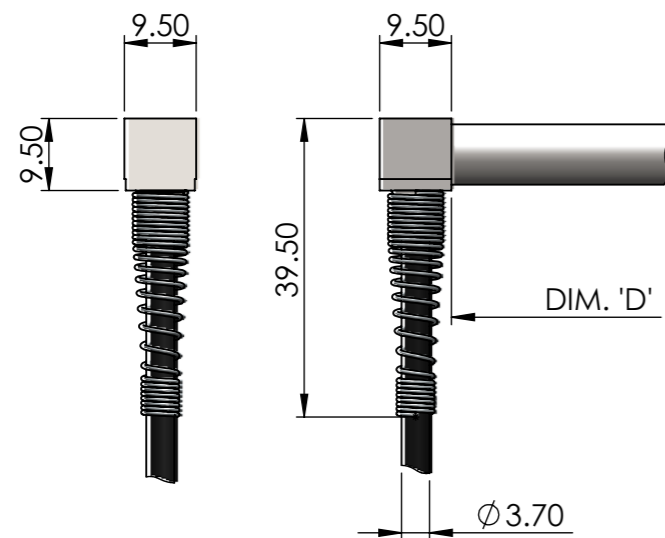
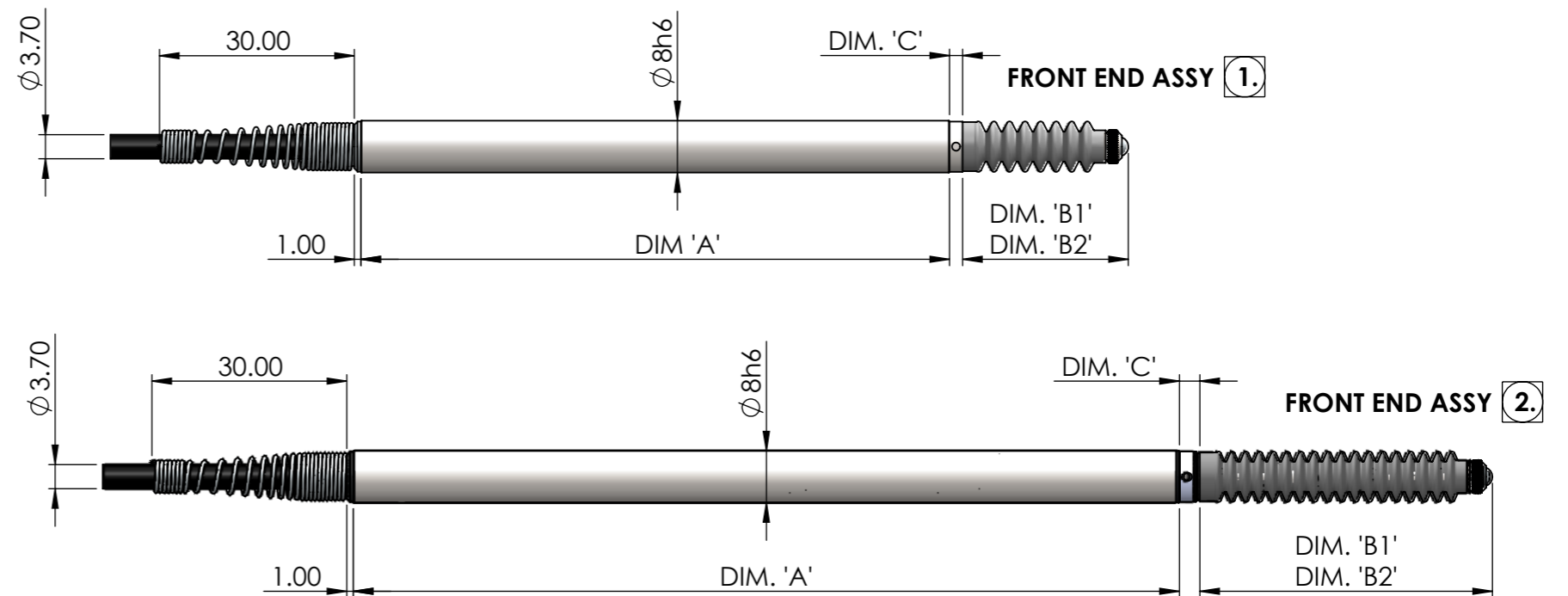


3D MODEL GUIDE		
RANGE	DP SPRING PUSH	
	AXIAL	R/A
2mm	DP2S	DP2S RA
5mm	DP5S	DP5S RA
10mm	DP10S	DP10S RA
10/2mm	DP10-2S	DP10-2S RA
12mm	DP12S	DP12S RA
20mm	DP20S	DP20S RA



RADIAL CABLE OUTLET OPTION 'R/A'

MEASUREMENT RANGE	2mm	5mm	10mm	10/2mm	12mm	20mm
CASE LENGTH AXIAL DIM. 'A'	47.50	66.50	90.50	75.00	127.00	127.00
CASE LENGTH R/A DIM. 'D'	33.50	52.50	76.50	61.50	-	113.50
FULLY EXTENDED DIM. 'B1'	14.25	18.00	25.50	25.50	28.50	45.00
PRE-TRAVEL	0.15	0.15	0.15	0.15	0.15	0.15
POST-TRAVEL	0.85	0.85	0.85	8.85	0.85	0.85
FULLY RETRACTED DIM. 'B2'	11.25	12.00	14.50	14.50	15.50	24.00
DIMENSION 'C'	2.00	2.00	2.00	4.00	2.00	3.00
FRONT END ASSY	(1.)	(1.)	(1.)	(2.)	(1.)	(2.)

DP/S-DIGITAL STANDARD SPRING PUSH

SOLARTRON PURSUES A POLICY OF CONTINUOUS DEVELOPMENT. SPECIFICATIONS IN THIS DOCUMENT MAY THEREFORE BE CHANGED WITHOUT NOTICE. DIMENSIONS ARE NOMINAL AND SPECIFIED IN MILLIMETRES.