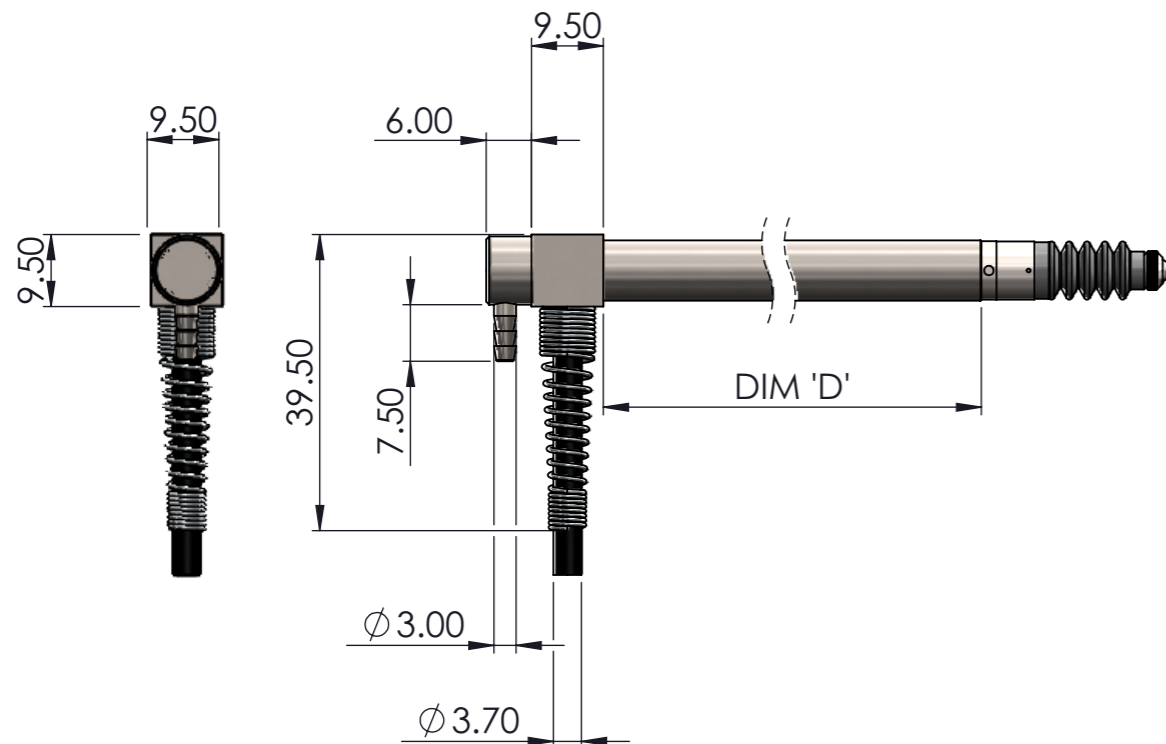
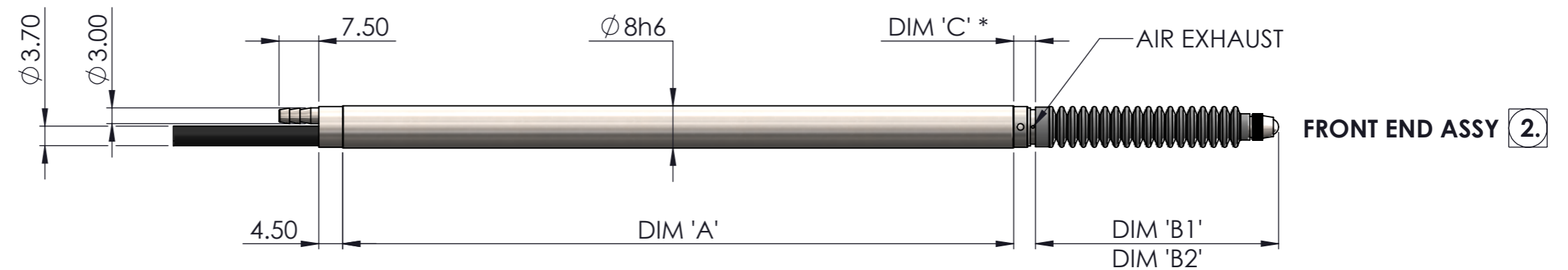
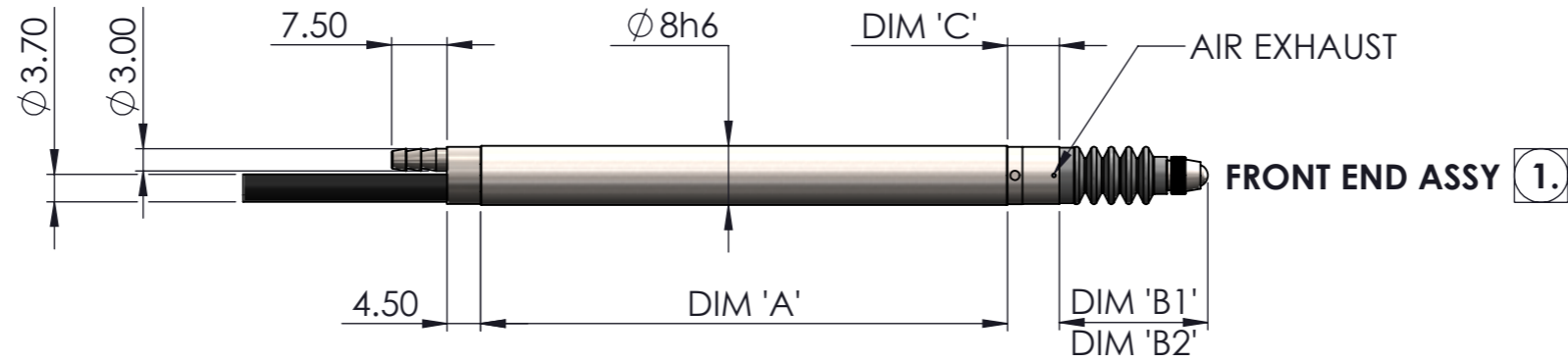


3D MODEL GUIDE		
RANGE	AJ PNEUMATIC PUSH	
	AXIAL	R/A
±1mm	AJ1P	AJR1P
±2.5mm	AJ2.5P	AJR2.5P
±5mm	AJ5P	AJR5P
±5/1mm	AJ5-1P	AJR5-1P
±5/2mm	AJ5-2P	AJR5-2P
±10mm	AJ10P	AJR10P



RADIAL CABLE OUTLET OPTION 'R/A'

MEASUREMENT RANGE	±1mm	±2.5mm	±5mm	±5/1mm	±5/2mm	±10mm
CASE LENGTH AXIAL DIM. 'A'	49.00	71.00	96.00	84.00	96.00	127.00
CASE LENGTH R/A DIM. 'D'	35.50	57.50	82.50	70.50	82.50	113.50
FULLY EXTENDED DIM. 'B1'	16.25	20.00	27.50	27.50	27.50	46.00
PRE-TRAVEL	0.30	0.30	0.30	0.30	0.30	0.15
POST-TRAVEL	0.70	0.70	0.70	8.70	6.70	0.85
FULLY RETRACTED DIM. 'B2'	13.25	14.00	16.50	16.50	16.50	25.00
DIMENSION 'C'	7.00	7.00	7.00	7.00	7.00	4.00*
FRONT END ASSY	1.	1.	1.	1.	1.	2.

NOTE: * - VARIABLE DIMENSION, TOLERANCE $\pm 0.25\text{mm}$.



STEYNING WAY • BOGNOR REGIS • SUSSEX • ENGLAND • PO22 9ST

DRAWING NUMBER

540002-265

TITLE

AJ/P - ANALOGUE
GAITER INDEPENDENT PNEUMATIC

E.D.C.R.

24043

ISSUE

1

SOLARTRON PURSUES A POLICY OF CONTINUOUS DEVELOPMENT. SPECIFICATIONS IN THIS DOCUMENT MAY THEREFORE BE CHANGED WITHOUT NOTICE. DIMENSIONS ARE NOMINAL AND SPECIFIED IN MILLIMETRES