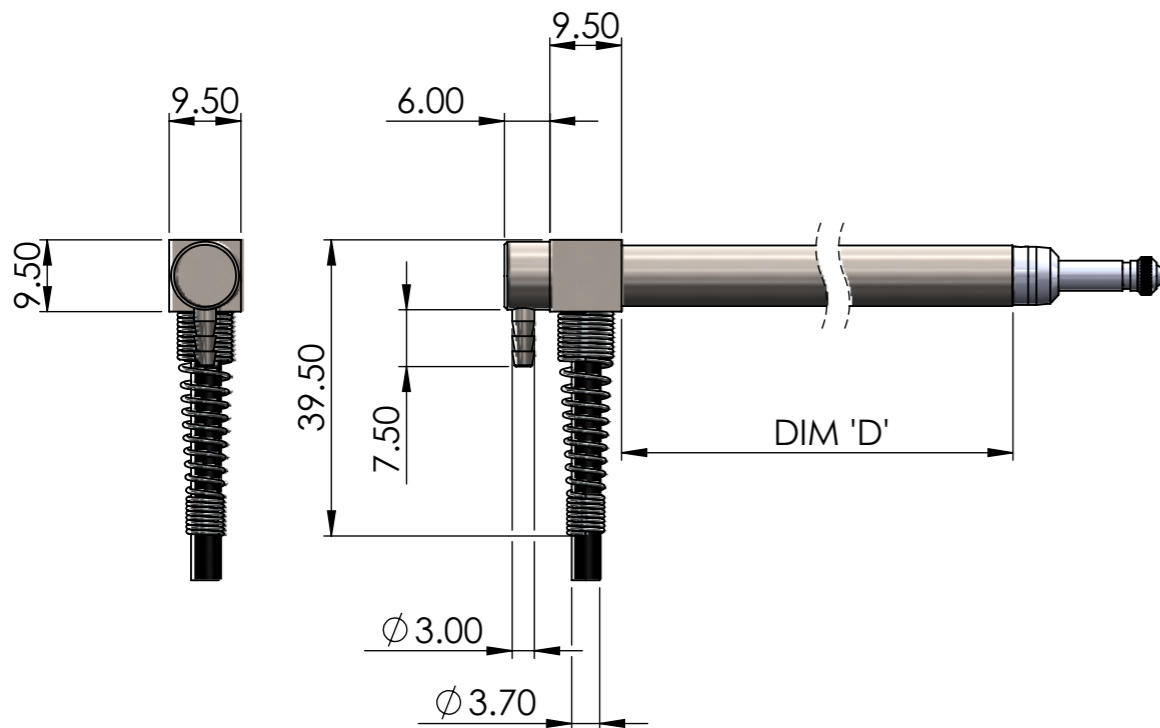
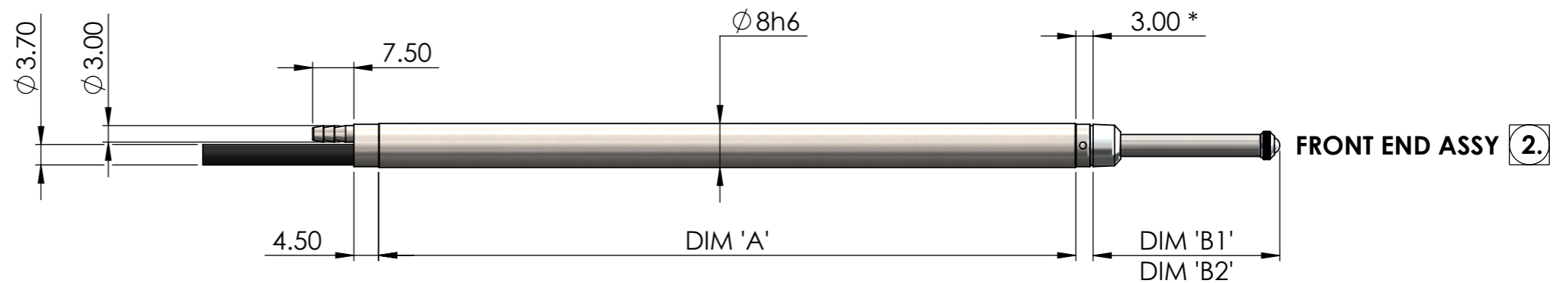
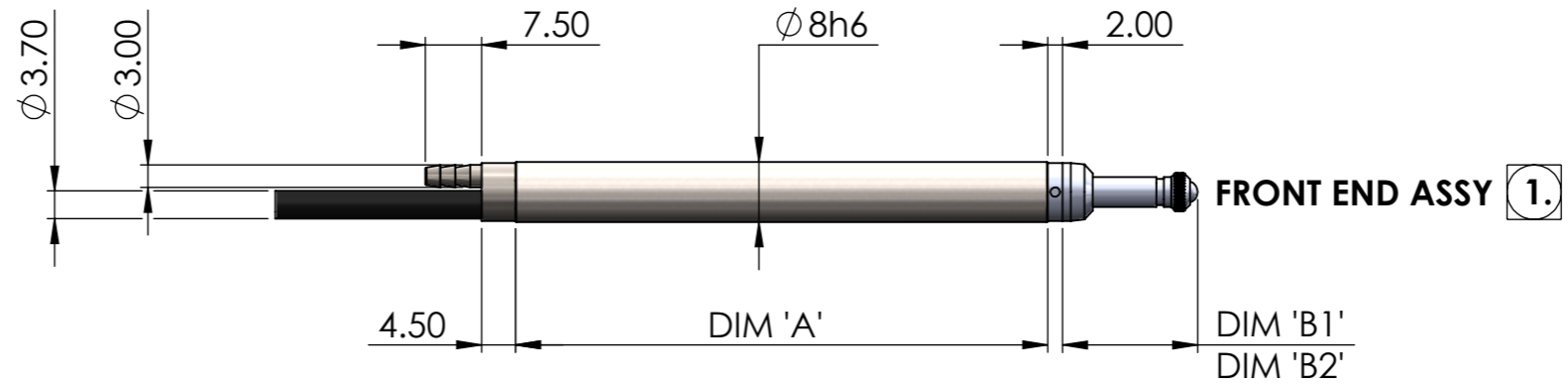


3D MODEL GUIDE		
RANGE	AT PNEUMATIC PUSH	
	AXIAL	R/A
±1mm	AT1P	ATR1P
±2.5mm	AT2.5P	ATR2.5P
±5mm	AT5P	ATR5P
±5/1mm	AT5-1P	ATR5-1P
±10mm	AT10P	ATR10P



RADIAL CABLE OUTLET OPTION 'R/A'

MEASUREMENT RANGE	±1mm	±2.5mm	±5mm	±5/1mm	±10mm
CASE LENGTH AXIAL DIM 'A'	49.00	71.00	96.00	84.00	127.00
CASE LENGTH R/A DIM 'D'	35.50	57.50	82.50	70.50	113.50
FULLY EXTENDED DIM 'B1'	14.25	18.00	25.50	25.50	34.00
PRE-TRAVEL	0.30	0.30	0.30	0.30	0.15
POST-TRAVEL	0.70	0.70	0.70	8.70	0.85
FULLY RETRACTED DIM 'B2'	11.25	12.00	14.50	14.50	13.00
FRONT END ASSY	1.	1.	1.	1.	2.

NOTE: * - VARIABLE DIMENSION, TOLERANCE ± 0.25 mm.