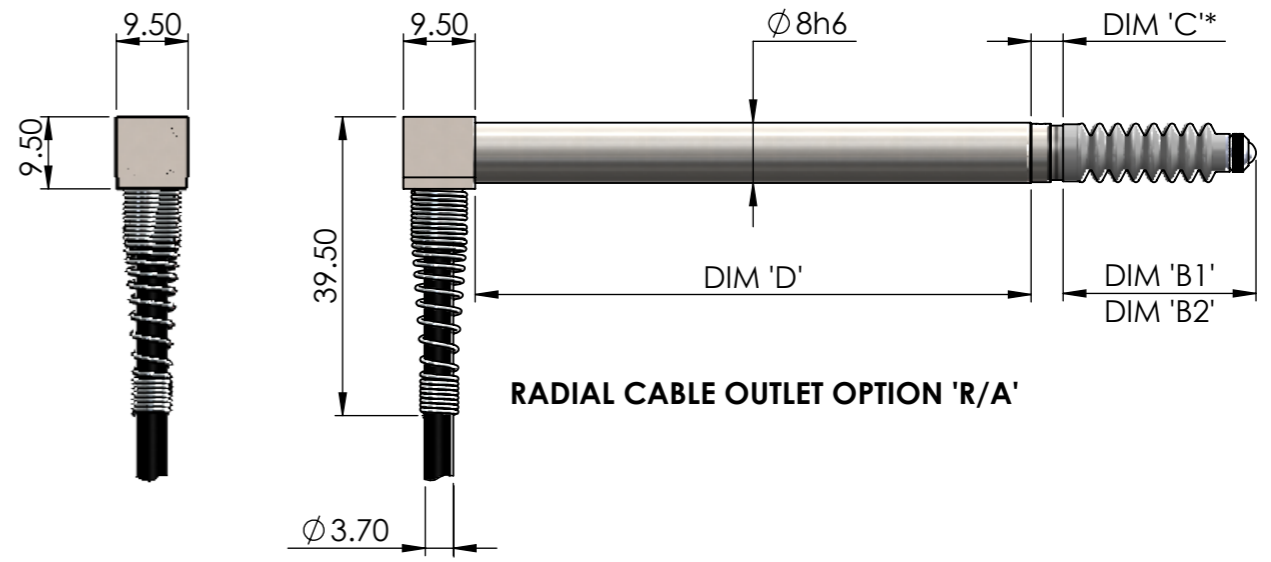


AXIAL CABLE OUTLET OPTION



RADIAL CABLE OUTLET OPTION 'R/A'

MEASUREMENT RANGE	±1mm	±1.5mm	±2mm	±2.5mm	±5mm	±5/1mm	±10mm
CASE LENGTH AXIAL DIM 'A'	43.00	58.00	53.00	63.00	87.00	75.00	127.00
CASE LENGTH R/A DIM 'D'	29.50	44.50	44.50	49.50	73.50	61.50	113.50
FULLY EXTENDED DIM 'B1'	14.00	14.50	15.75	18.00	25.50	25.50	45.00
PRE-TRAVEL	0.15	0.15	0.15	0.15	0.15	0.15	0.15
POST-TRAVEL	0.85	0.85	0.85	0.85	0.85	8.85	0.85
FULLY RETRACTED DIM 'B2'	11.00	10.50	10.75	12.00	14.50	14.50	24.00
DIMENSION 'C'	4.00*	4.50*	3.75*	4.50*	4.50*	4.25*	3.00*

NOTE: * - VARIABLE DIMENSION, TOLERANCE ±0.25mm.

3D MODEL GUIDE		
RANGE	AX SPRING PUSH	
	AXIAL	R/A
±1mm	AX1S	AXR1S
±1.5mm	AX1.5S	AXR1.5S
±2mm	AX2S	AXR2S
±2.5mm	AX2.5S	AXR2.5S
±5mm	AX5S	AXR5S
±5/1mm	AX5-1S	AXR5-1S
±10mm	AX10S	AXR10S