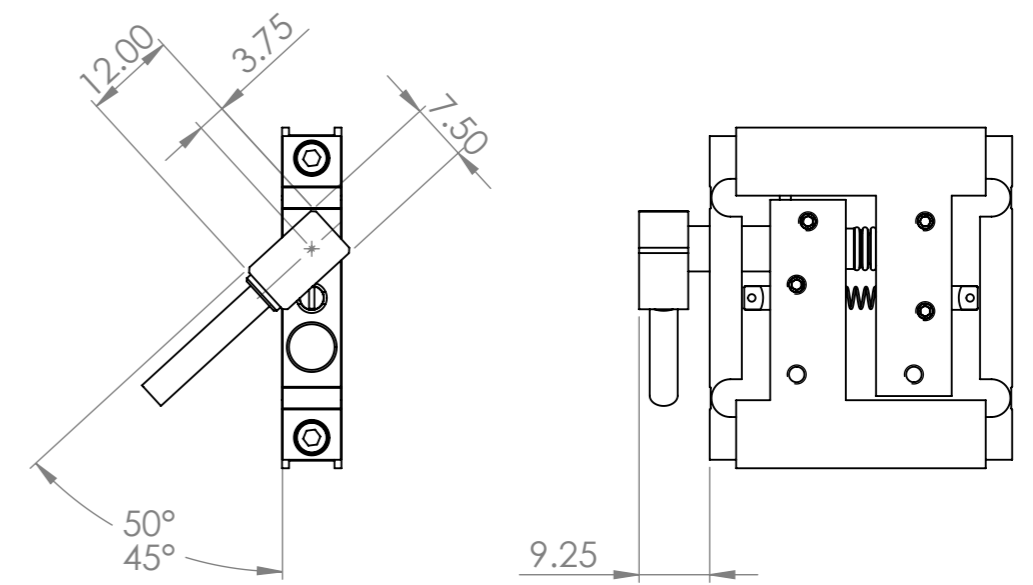
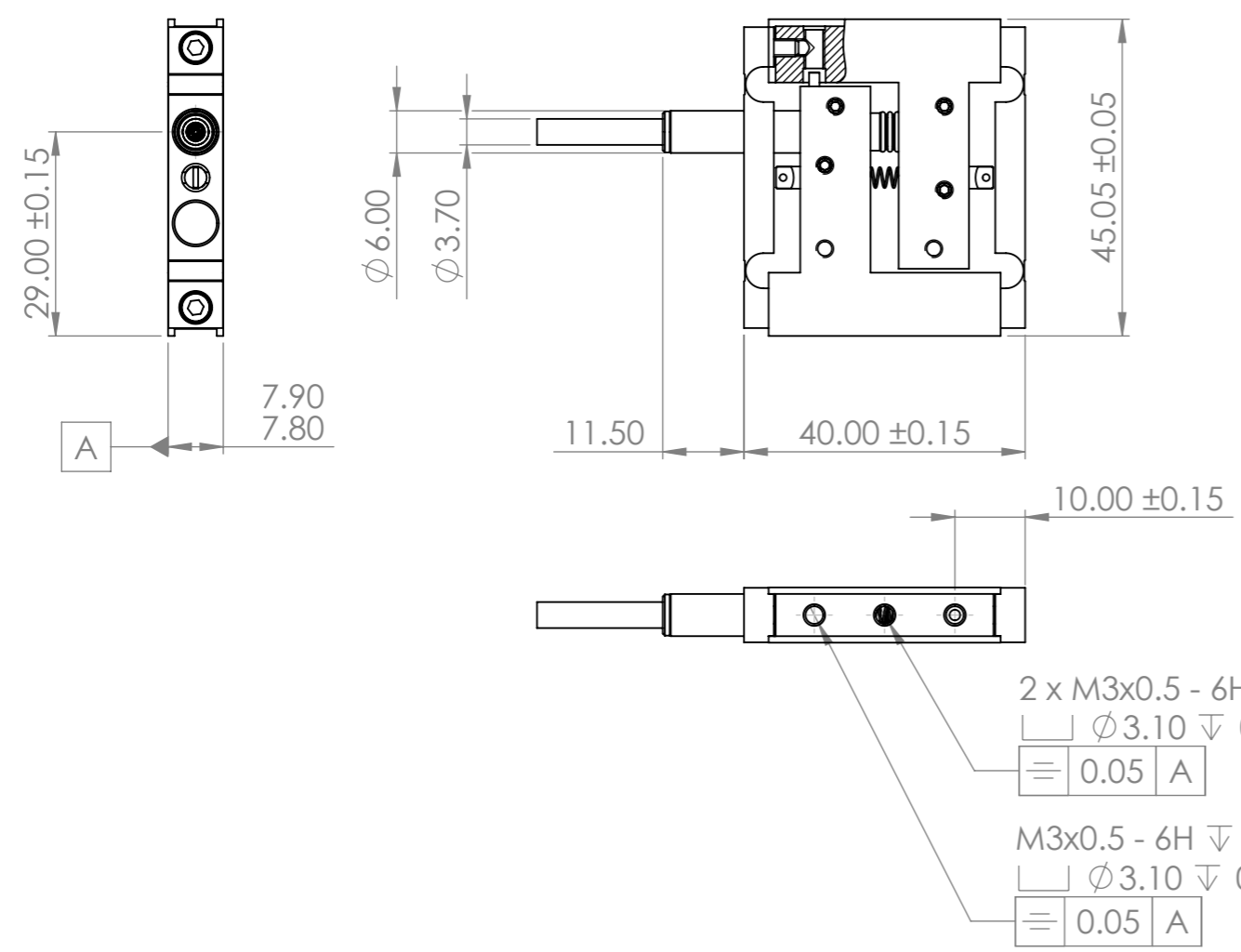


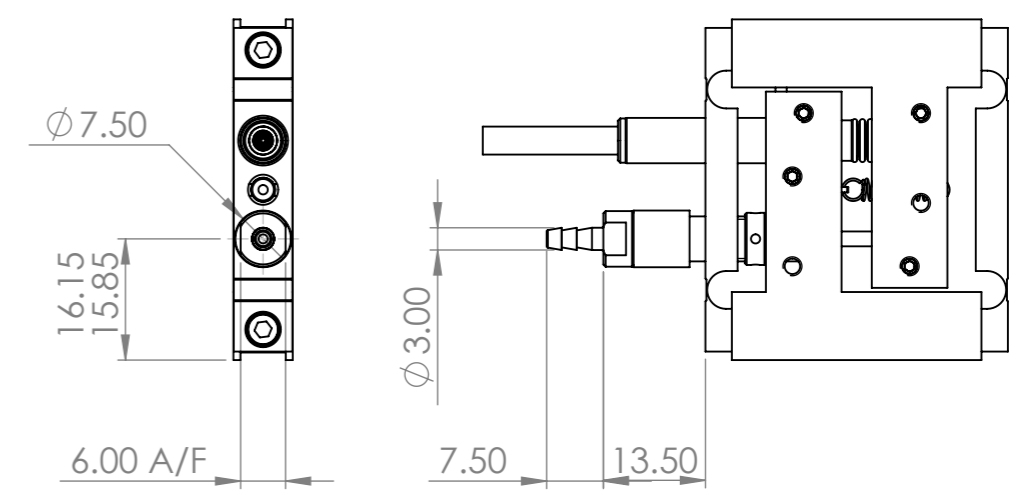
**SPRING PUSH STANDARD AUR/0.5/S & DUR/1/S
 IN PARALLEL FRAME POSITION
 USING $\phi 6\text{mm}$ TRANSDUCER WITH RADIAL CABLE OUTLET**




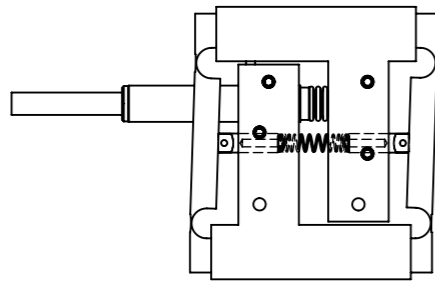
**SPRING PUSH STANDARD AU/0.5/S & DU/1/S
 IN PARALLEL FRAME POSITION
 USING $\phi 6\text{mm}$ TRANSDUCER WITH AXIAL CABLE OUTLET**



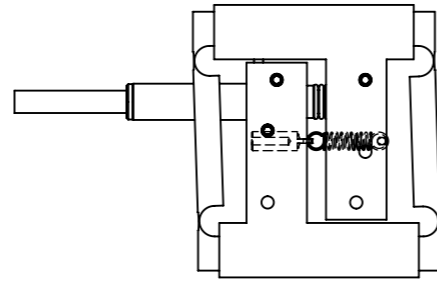
**PNEUMATIC STANDARD AU/0.5/P & DU/1/P
 IN PARALLEL FRAME POSITION
 USING $\phi 6\text{mm}$ TRANSDUCER WITH AXIAL CABLE OUTLET**



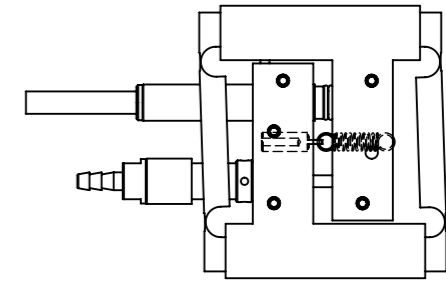
 STEYNING WAY • BOGNOR REGIS • SUSSEX • ENGLAND • PO22 9ST	DRAWING NUMBER	TITLE	E.D.C.R.	24526
	540002-103	FLEXURE AU/0.5 & DU/1	ISSUE	3
SOLARTRON PURSUES A POLICY OF CONTINUOUS DEVELOPMENT. SPECIFICATIONS IN THIS DOCUMENT MAY THEREFORE BE CHANGED WITHOUT NOTICE. DIMENSIONS ARE NOMINAL AND SPECIFIED IN MILLIMETRES				



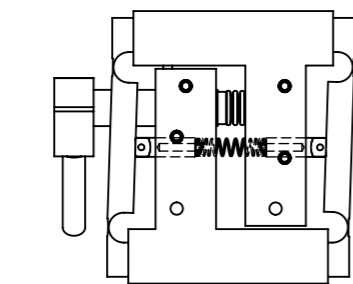
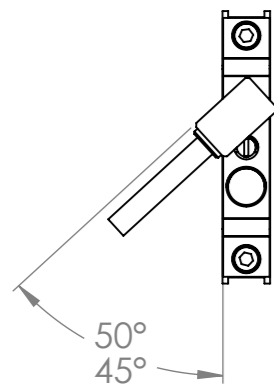
AU/0.5/S(H) OR DU/1/S
STANDARD



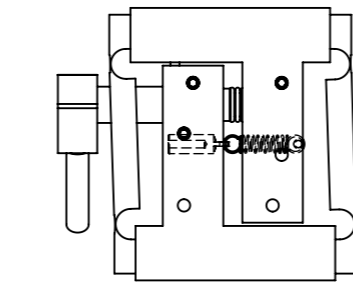
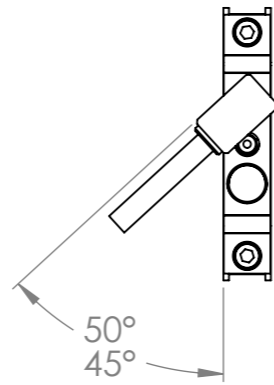
AU/0.5/R(H) OR DU/1/R
REVERSED ACTION



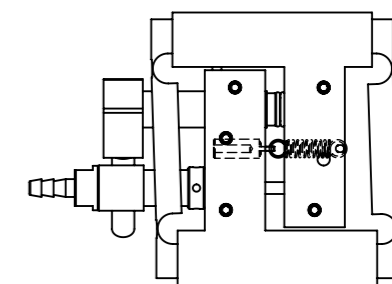
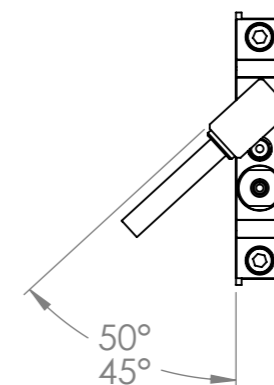
AU/0.5/P(H) OR DU/1/P
STANDARD



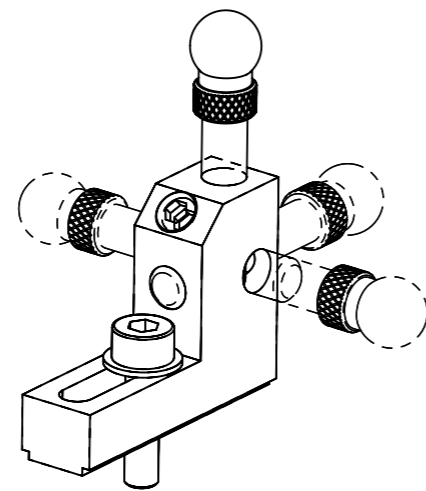
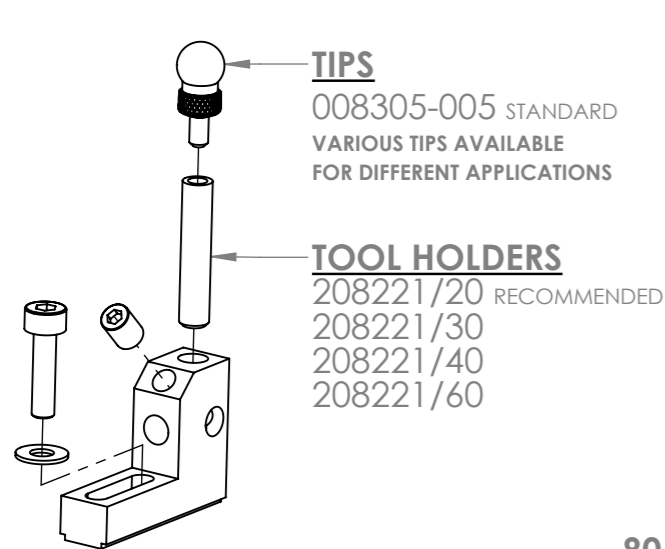
AUR/0.5/S(H) OR DUR/1/S
STANDARD



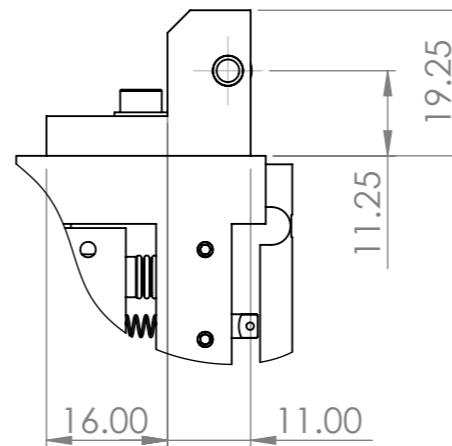
AUR/0.5/R(H) OR DUR/1/R
REVERSED ACTION



AUR/0.5/P(H) OR DUR/1/P
STANDARD



806274-SX TOOL HOLDER ASSY
AU/0.5 & DU/1 - ϕ 4mm
TIP & TOOL HOLDER SHOWN FOR ALTERNATIVE POSITIONS ONLY



TOOL HOLDER - ASSEMBLED

